

Quad / Riding Mower Cover

Material List:

All Parts 3/4inch PVC Plastic

Item	Qty	Description
A	2	90deg Elbow
B	10	45deg Elbow
C	4	Tee
D	4	Slip Tee
E	2	Crosses
F	4	3-way Corners
G	3	4-way Corners
H	2	60inch Pipe
I	2	10inch Pipe
J	22	42inch Pipe
K	10	1-1/2inch Pipe
L	26	3/4x4 Snap Clamps
M	1	12ft x 16ft Tarp

Assembly Steps:

1. Assemble Base and Sides as shown in Fig. 1
2. Assemble Roof Struts as shown in Fig. 2
Slide items D onto Roof Struts before attaching 45deg elbows.
3. Assemble Roof Braces as shown in Fig. 2
4. Attach Roof Struts to Sides using items K to connect 45deg elbows to side connectors as shown in Fig.2
5. Attach Tarp to structure using items L as shown in Fig.3
6. Attach a Tarp to front opening to make a complete enclosure if desired.

7. For Windy Conditions:

Secure structure to the ground or to the side of a building and install a self tapping screw through the center of clamps to firmly secure them to the structure.

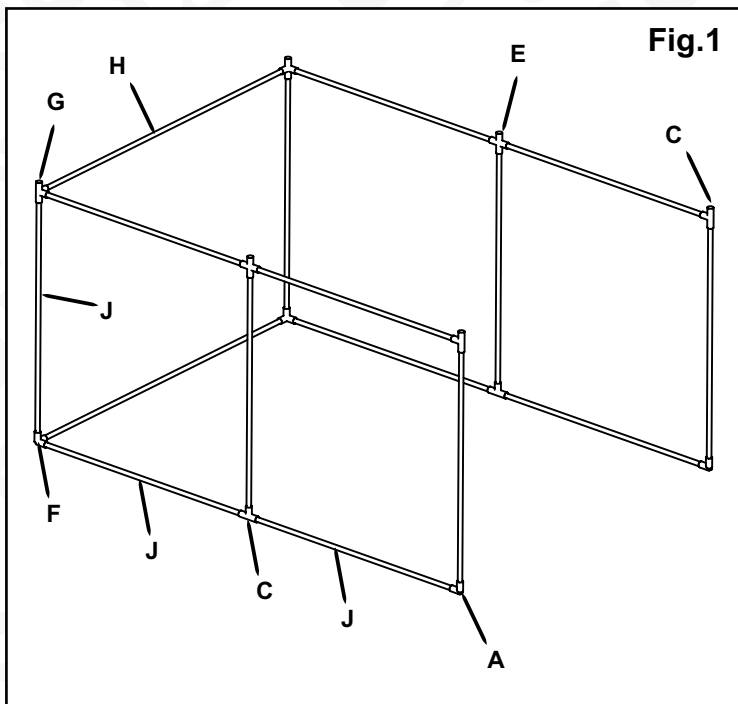


Fig.1

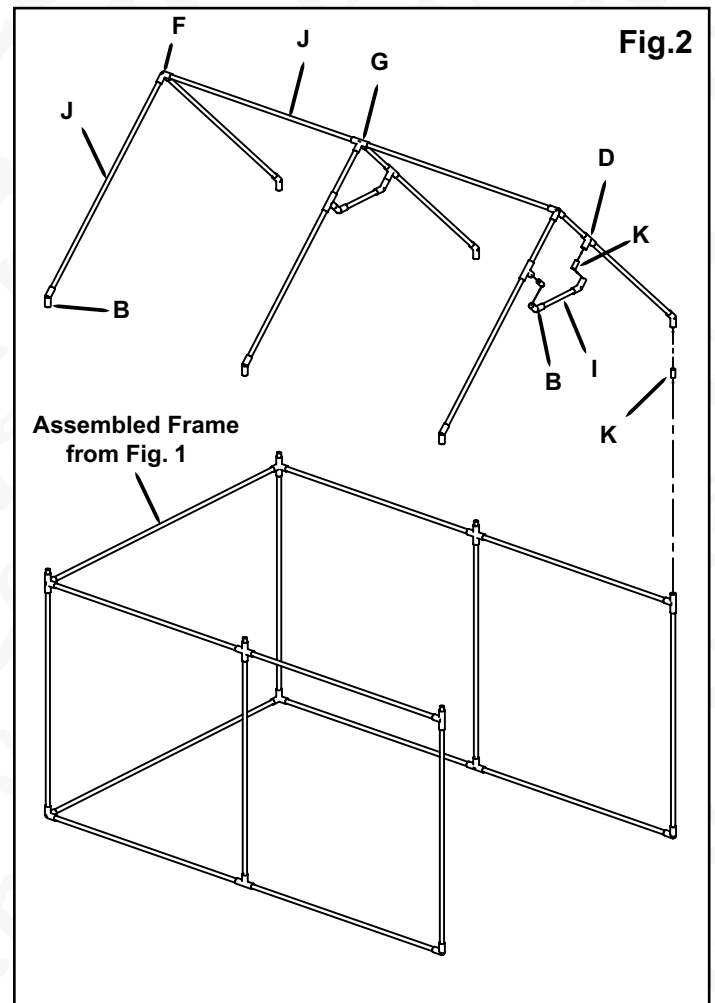


Fig.2

Assembled Frame
from Fig. 1

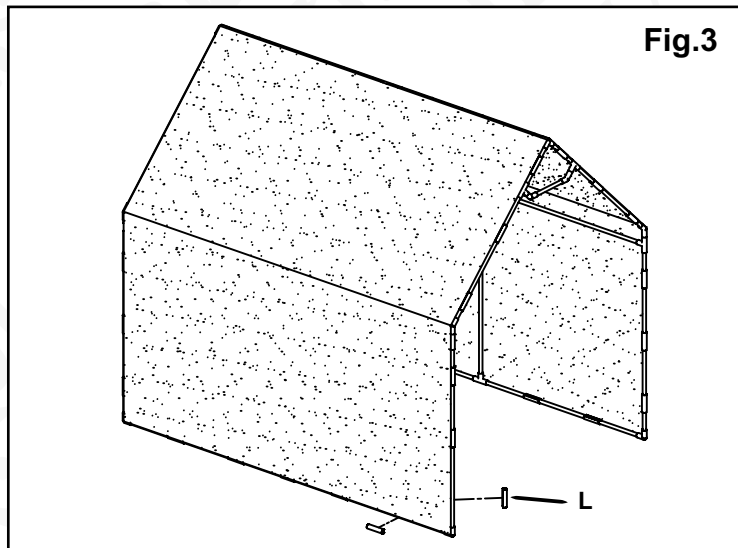


Fig.3