

Arched GreenHouse

Material List:

All Pipe is 1" Sch 40 PVC
(unless otherwise specified)

Item	Qty	Description
A	2	138" Pipe
B	2	148-1/2" Pipe
C	5	228" Pipe
D	4	36" Pipe
E	4	72" Pipe
F	10	27" Pipe
G	2	67" Pipe
H	10	4" Pipe (1-1/4" Sch 40 PVC)
I	100-130	1-1/4" Snap Clamps 4" (Circo Item #13)
J	30	1" Slip-T's (Circo Item #63)
K	4	1" 3-way Connector (Circo Item #33)
L	8	1" 90 deg. Elbow
M	10	12+'' Ground Stake (Wood or Metal)
P	1	20'x13'-4" Top Cover (Plastic, Netting or Shade)
S	2	12-1/2'x7' End Cover
T	1	78"x38" Door Cover
U	1	38"x38" Window Cover
W	100-130	Self Tapping Screws (3/4" Long)
Z		PVC Glue

ASSEMBLE BASE FRAME:

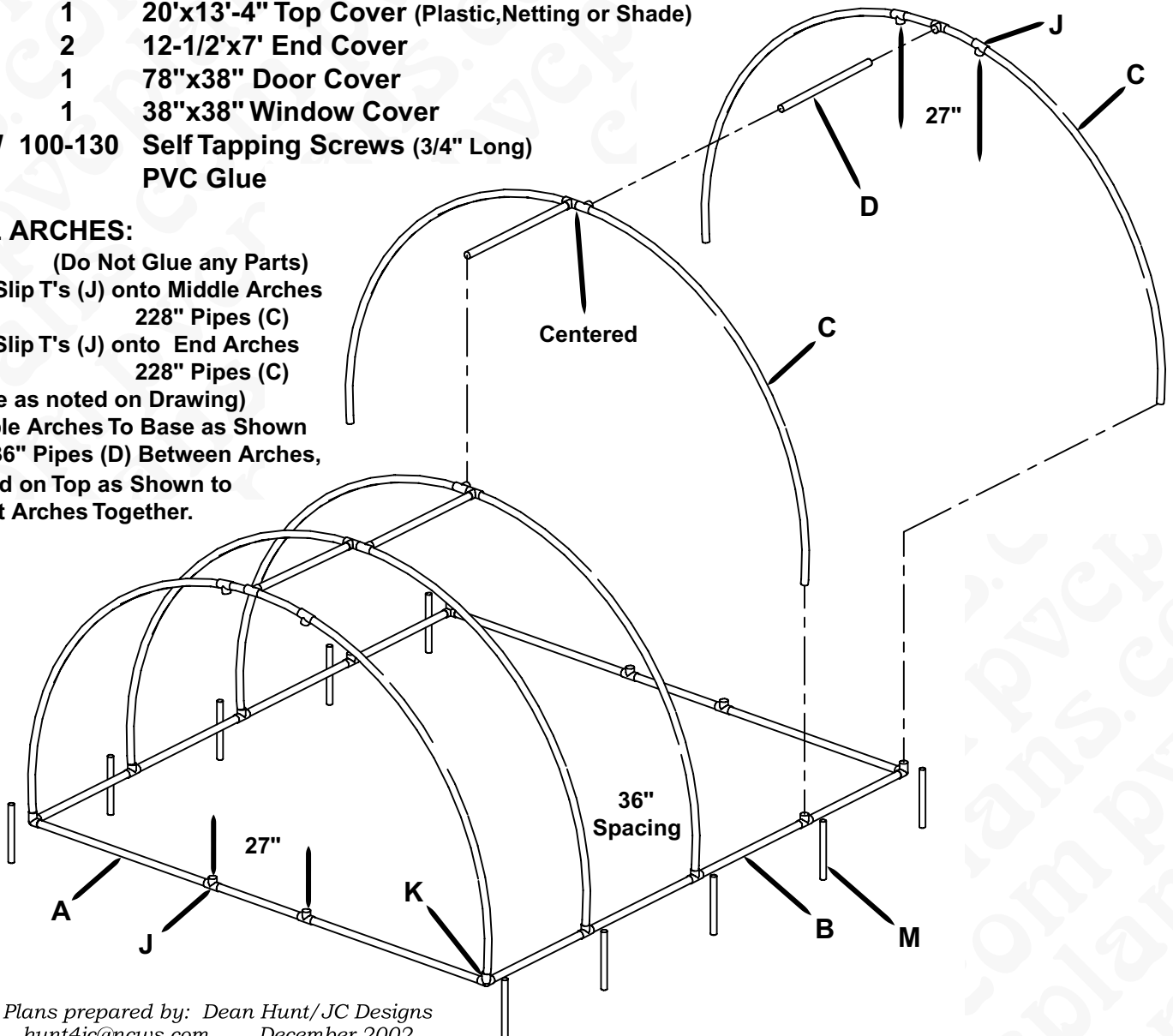
(Do Not Glue any Parts)

- Slide 3 Slip T's (J) onto 148.5" Pipes (B) and 2 Slip T's (J) onto 135" Pipes (A) (Space as Noted on Drawing)
- Connect Pipes at Corners with 3-Way's (K)
- Drive 5 Stakes (M) into the Ground on Each Long Side the Base. Leave 2" of Stake Above Ground to Secure Base

INSTALL ARCHES:

(Do Not Glue any Parts)

- Slide 2 Slip T's (J) onto Middle Arches 228" Pipes (C) and 3 Slip T's (J) onto End Arches 228" Pipes (C) (Space as noted on Drawing)
- Assemble Arches To Base as Shown
- Attach 36" Pipes (D) Between Arches, Centered on Top as Shown to Connect Arches Together.



Arched GreenHouse

Page 2 of 3

ASSEMBLE DOOR & DOOR FRAME:

1. Glue 2 Pieces of 1-1/4" PVC x 4" (H) Together To Create Hinges as Shown. Make 4 Hinges.
2. Glue 1 Piece 1-1/4" x 4" (H) to 1 SnapClamp (I) To Create Latches as Shown. Make 2 Latches
3. Slide a Slip-T (J) onto each Door Frame Side (E) Locate 4" Down from Top.
4. Slide Hinges and Latch onto Door Frame Sides Positioned as Shown in Fig. 3
5. Connect the Two Door Frames with 27" Pipe (F) Assemble into Slip-T's on Arch and Base on Front of GreenHouse.
6. Slide Door Side Pipe (G) Through Hinges on Door Frame and Then Assemble Door as Shown in Fig. 1. with Middle Support Pipe (F) Located in the Center of the Door. Adjust Latch as Needed.
7. Slide Hinges to Farthest Positions Up & Down to Hold Door in Position Securely.

Hinge

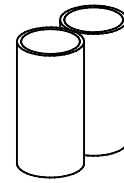


Fig. 1

Latch

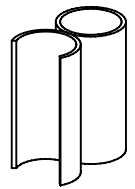


Fig. 2

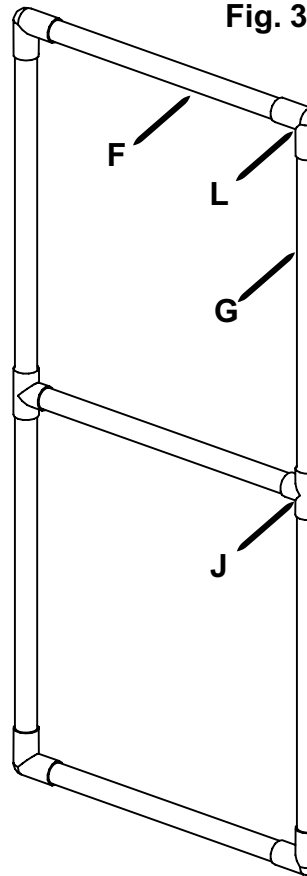


Fig. 3

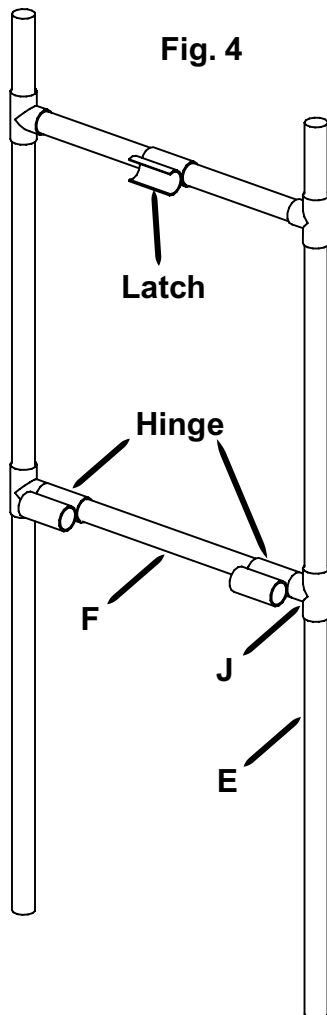
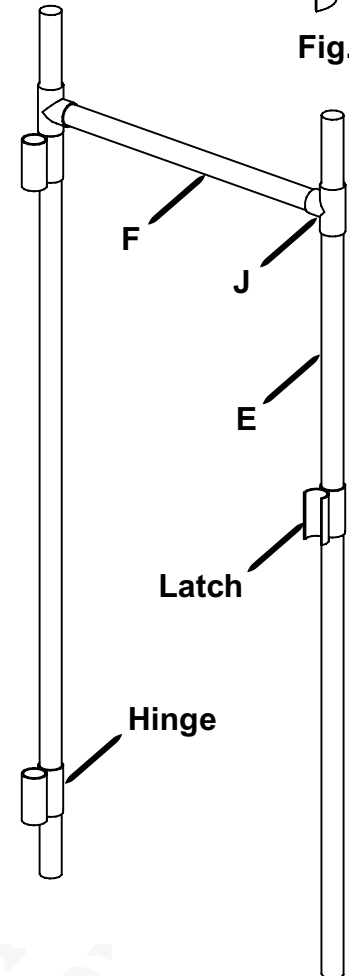
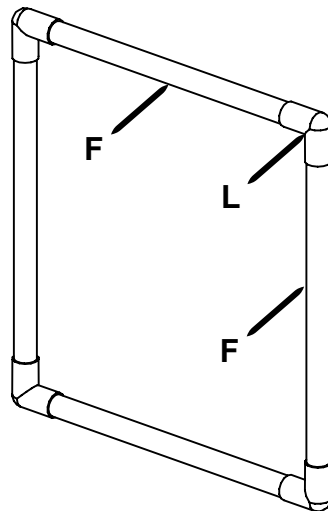


Fig. 4



ASSEMBLE WINDOW & WINDOW FRAME:

1. Slide 2 Slip-T's (J) onto Window Frame Sides (E) Locate 4" Down from Top and 27" Apart.
2. Slide Latch onto 27" Window Frame Top (F) and 2 Hinges onto 27" Window Frame Bottom (F) Connect Top and Bottom Window Frame to Side Window Frames and Assemble into Slip-T's on Arch and Base on Back of GreenHouse.
3. Slide Window Bottom Pipe (F) Through Hinges on Window Frame and Then Assemble Window as Shown in Fig. 4. Adjust Latch as Needed.
4. Slide Hinges to Farthes Positions Side to Side To Hold Window in Position Securely.

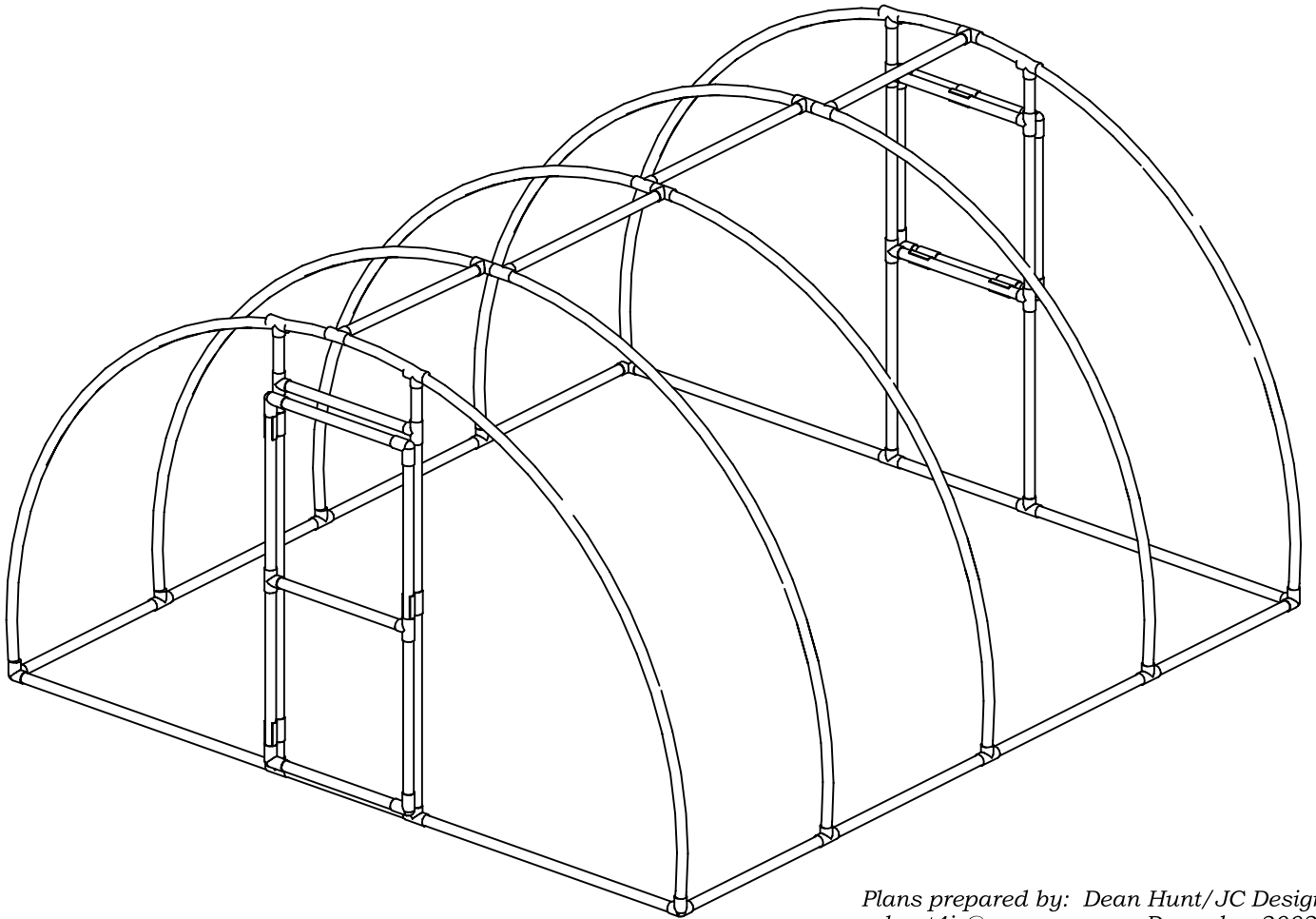
Arched GreenHouse

Page 3 of 3

COVER AND SECURE THE ARCHED GREEN HOUSE:

1. Cover the Door with Covering (T) Use SnapClamps (I) Spaced 8 - 10" apart to Secure the Covering to the Door.
2. Cover the Window with Covering (U) Use SnapClamps (I) Spaced 8 - 10" apart to Secure the Covering to the Window.
3. Cover the Top with Covering (P) Using SnapClamps (I) Spaced 8 - 10" apart to Secure the Covering to the Top.
4. Cover the Ends with Covering (S) Using SnapClamps (I) Spaced 8 - 10" apart to Secure the Covering to the Ends.
5. Glue Fittings as Needed.
6. Screw Self Tapping Screw (W) into any Clamps, Hinges, or Latches as Needed.
7. Secure Green House to Gound with Stakes, Sandbags or Blocks.
8. Trim Excess Coverings.

These Plans are Free and Therefore we do not Warrent or Garauntee the Structure Built from Them.



Plans prepared by: Dean Hunt/JC Designs
hunt4jc@ncws.com December 2002